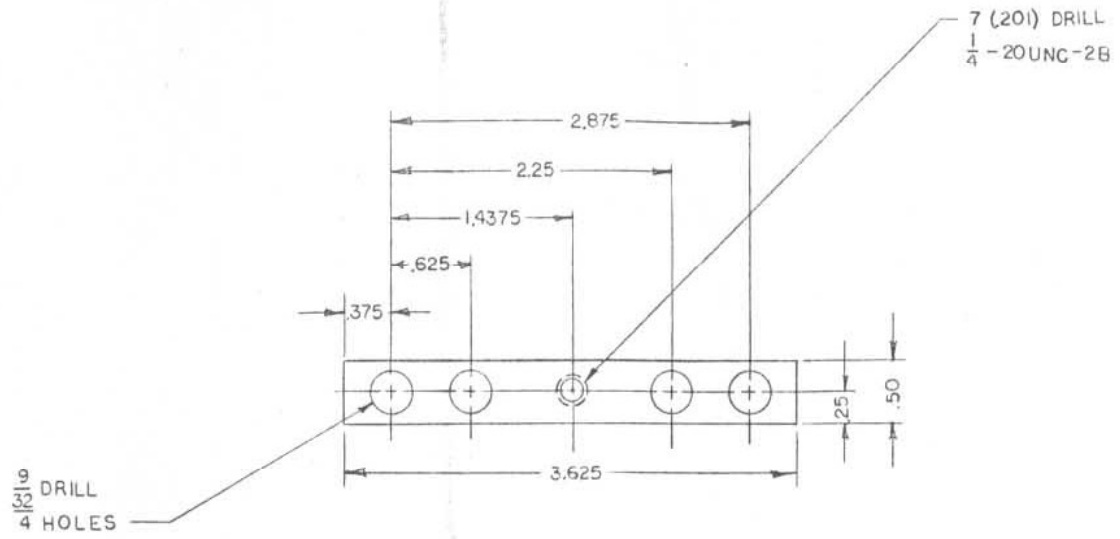


ALTERATIONS

LET.	DESCRIPTION	NO.	CHKD.	DATE



DRWG NOT TO SCALE

UNLESS OTHERWISE SPECIFIED: ANGLES MAY VARY ±0°-30°—FINISHED DIM. MAY VARY ±1/64 IF FRACTIONAL, ±.010 IF DECIMAL—FORGING & CASTING DIM. MAY VARY ±1/16, RADII ARE 1/8—CONCENTRICITY & SQUARENESS ARE INCLUDED IN THE TOLERANCE SPECIFIED—BREAK CORNERS 1/64 TO 1/32—DIMS. SHOWN ARE AFTER PLATING—DO NOT SCALE DRAWING.

MIDWEST YACHT SPECIALTIES
TARTAN 34 REENGINEERING DEPT.

SCALE 1" = 1"
REQD.

CONTROL ARM PLATE

3
PART NUMBER

DR. BY DAVE CHIFF DATE 1/20/77 TR.

APPRO.

MATL. STAINLESS STEEL

HT. TR.

HARDNESS

1001
USED ON ASSEMBLY